

# Assembly Instructions For N-Scale Ford C Series Truck Kit

**WARNING: CHOKING HAZARD**  
Keep out of reach of small children!

**NOTE: THESE ARE NOT TOYS, AND ARE NOT INTENDED FOR USE BY CHILDREN UNDER AGE OF 14.** These products are model railroad equipment and accessories intended for use by adults.



[www.eaelec.com](http://www.eaelec.com)  
Made in Canada

This kit is a scale model of a Ford C600 medium duty truck. The C series was a cab-over-engine design introduced in 1957. The kit contains all the parts needed to build a race car transporter (including a drag racer).

3D printed parts Included in the kit:

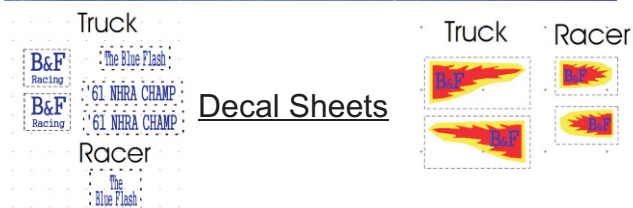
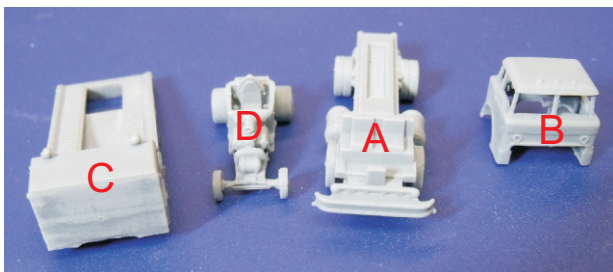
- A. 1 chassis
- B. 1 cab
- C. 1 transporter bed
- D. 1 drag racer.

Also included: 2 decal sheets.

Required to complete the kit:  
Paint - see painting guide on page 2.  
Glue - Slow setting CA is best.  
Tools -

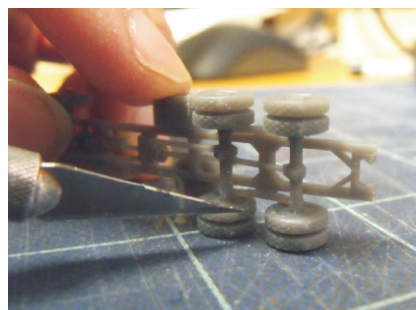
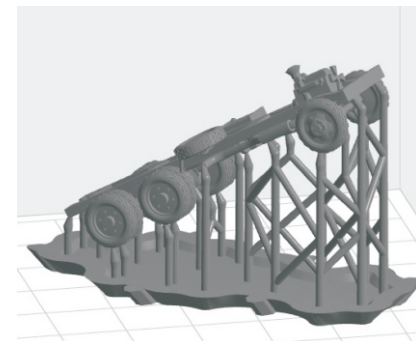
1. X-acto knife with a sharp #11 blade.
2. #400 and #600 sandpaper.

## Parts For Transporter Truck



The 3D printing process requires a supporting frame during printing, see below. The printed part is cut from the frame using flush cutters and this sometimes leaves small bumps on the part. Use a knife with a sharp new blade to cut away the bumps. When trimming bumps off the wheels you should place the wheel on a flat surface as shown below. Putting too much stress on the wheel can cause the axle to break. For bumps on the cab body, sanding is recommended.

After cleaning up the bumps, paint the parts and apply the decals as shown on the painting guide on page 2. When everything is dry, proceed to final assembly, using CA glue.



## Preparing the Decals

**Important** - The decals must be cut apart (as shown on the right) before immersing them in water. The flame decals are printed on white decal paper, cut them out as close to the red flames as possible. The other sheet is printed on clear decal paper, cut these out just inside the dotted lines.



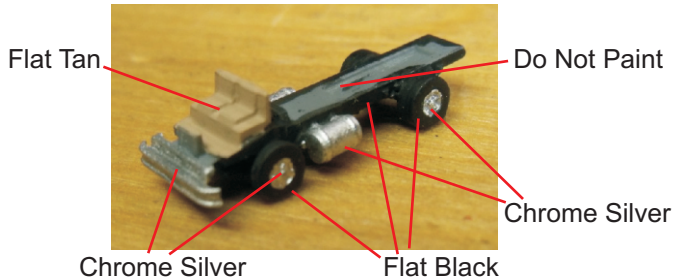
Cut Out Decals



## Painting & Decal Guide

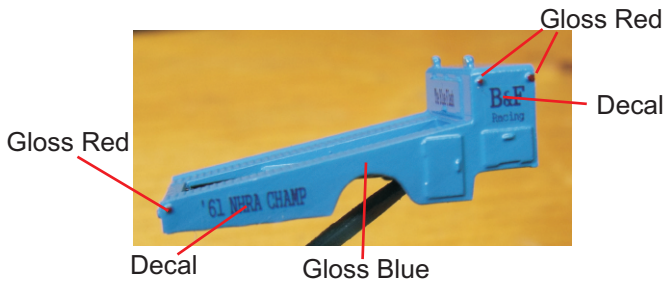
### Chassis

The chassis is painted flat black except for the front bumper/grill, wheel hubs, fuel tanks (which are all painted with Tamiya X11) and the seats which are tan (Tamiya XF-78).



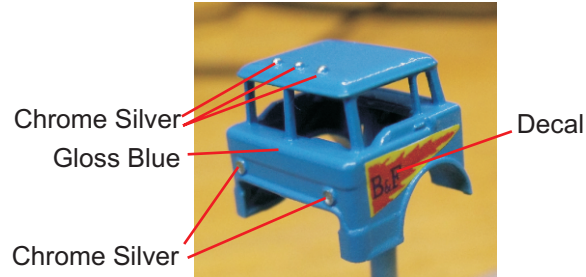
### Transport Bed

The bed is painted with Tamiya X14, in the same way as the cab. I apply paint to the signal lights and spot lights using a toothpick. After painting you can apply some Tamiya black panel line accent to the raised tracks on the bed for an illusion of depth. When the decals are dry, I spray the cab & bed with glosscoat to preserve the decals.

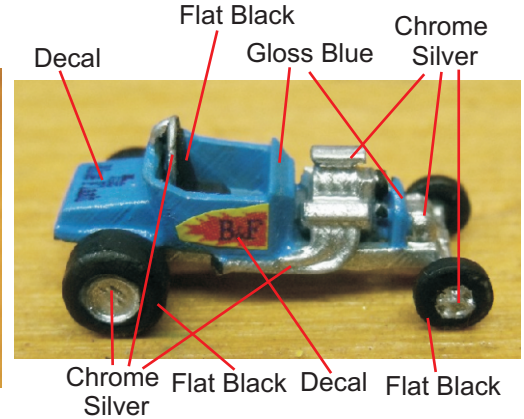
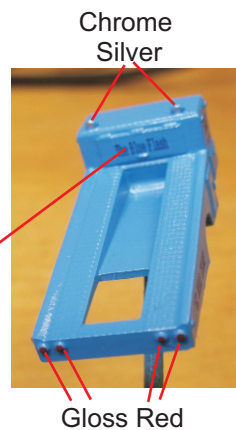


### Cab

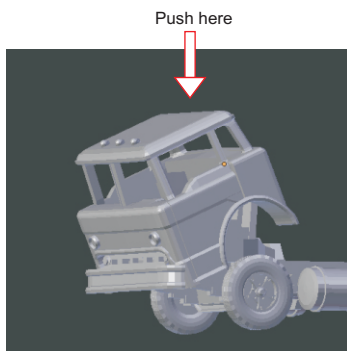
First I primed the cab used Testor 2982 spray lacquer. Then I airbrushed with Tamiya X14, sky blue. A toothpick was used to apply paint to the headlights and signal lights (Tamiya X11).



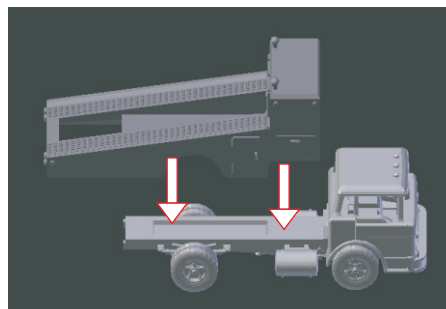
### Drag Racer



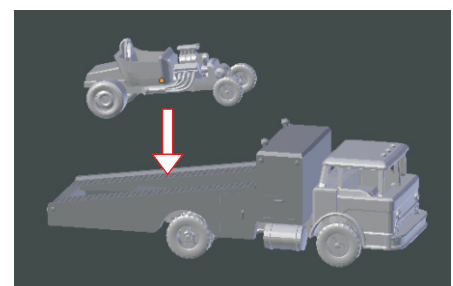
## Final Assembly For Transporter Truck



Step 1 - Insert the bottom front of the cab behind the bumper as shown above, then push gently on therear part of the cab roof until the cab snaps into place.



Step 2 - Attach the transporter bed to the chassis



Step 3 - Attach the drag racer to the transporter bed

Assembly Completed

