

Assembly Instructions For Z-Scale Ford C Series Truck Kit



www.eaelec.com
Made in Canada

This kit is a scale model of a Ford C600 medium duty truck. The C series was a cab-over-engine design introduced in 1957. The kit contains all the parts needed to build a race car transporter (including a drag racer).

3D printed parts Included in the kit:

- A. 1 chassis
- B. 1 cab
- C. 1 transporter bed
- D. 1 drag racer.

Also included: 1 decal sheet.

Required to complete the kit:

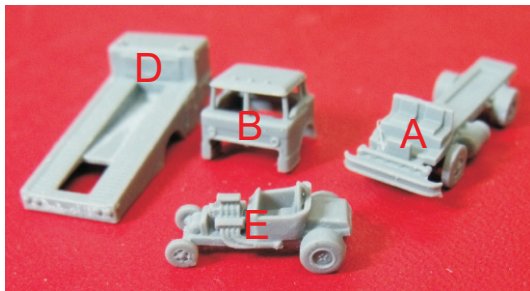
Paint - see painting guide on page 2.

Glue - Slow setting CA is best.

Tools -

- 1. X-acto knife with a sharp #11 blade.
- 2. #400 and #600 sandpaper.

Parts For Transporter Truck



Decal Sheet

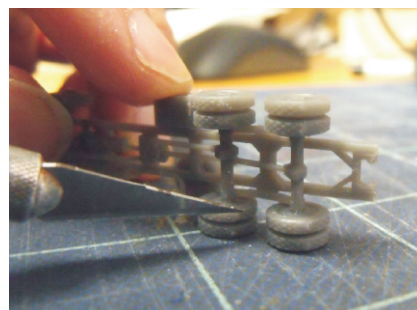
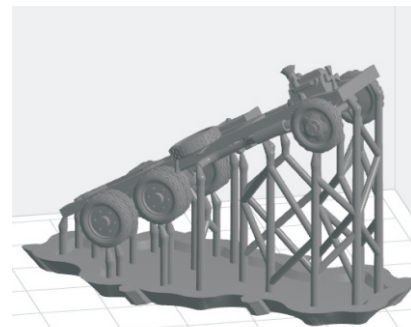


WARNING: CHOKING HAZARD
Keep out of reach of small children!

NOTE: THESE ARE NOT TOYS, AND ARE NOT INTENDED FOR USE BY CHILDREN UNDER AGE OF 14. These products are model railroad equipment and accessories intended for use by adults.

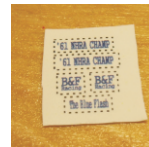
The 3D printing process requires a supporting frame during printing, see below. The printed part is cut from the frame using flush cutters and this sometimes leaves small bumps on the part. Use a knife with a sharp new blade to cut away the bumps. When trimming bumps off the wheels you should place the wheel on a flat surface as shown below. Putting too much stress on the wheel can cause the axle to break. For bumps on the cab body, sanding is recommended.

After cleaning up the bumps, paint the parts and apply the decals as shown on the painting guide on page 2. When everything is dry, proceed to final assembly, using CA glue.



Preparing the Decals

Important -The decals must be cut apart (as shown on the right) just inside the dotted lines before immersing them in water.



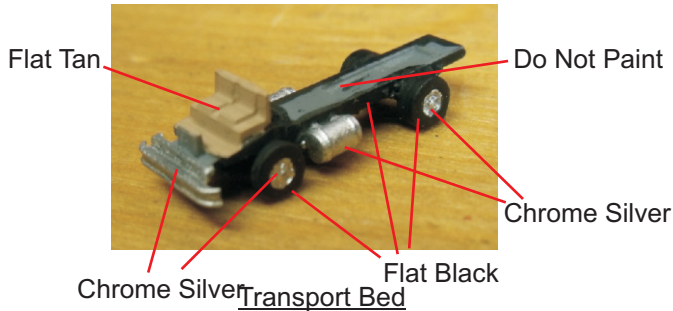
Cut Out Decals



Painting Guide For Transporter Truck

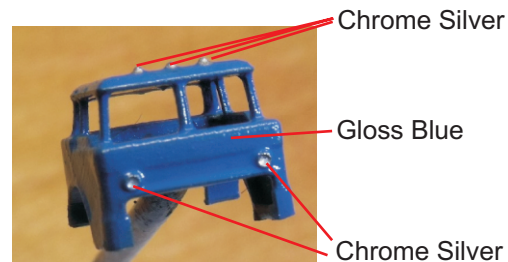
Chassis

The chassis is painted flat black except for the front bumper/grill, wheel hubs, fuel tanks (which are all painted with Tamiya X11) and the seats which are tan (Tamiya XF-78).

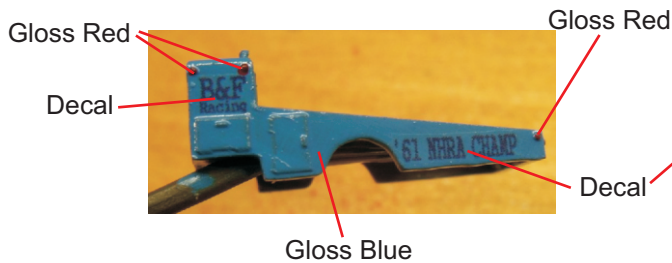


Cab

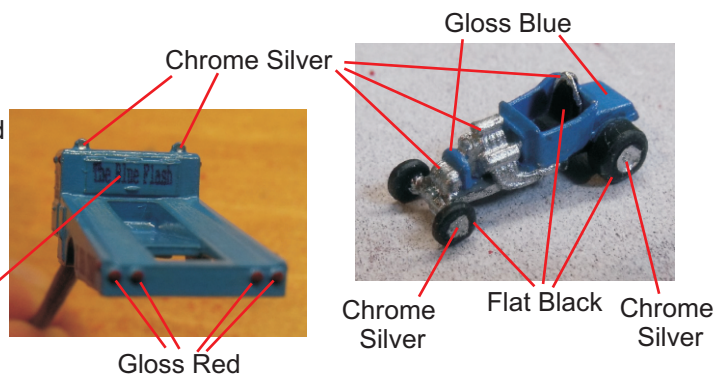
For this cab I brush painted with Tamiya X14, sky blue. I always use the paint retarder when brush painting with Tamiya. I used a toothpick to apply paint to the headlights and signal lights (Tamiya X11).



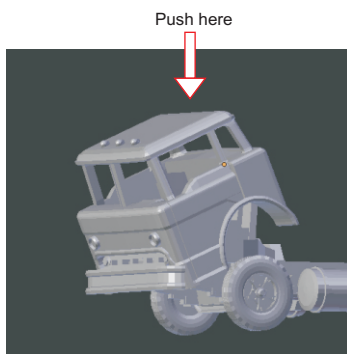
The bed is painted with Tamiya X14, same as the cab. I apply paint to the signal lights and spot lights using a toothpick. After the decals have dried, I sprayed with glosscoat to preserve the decals.



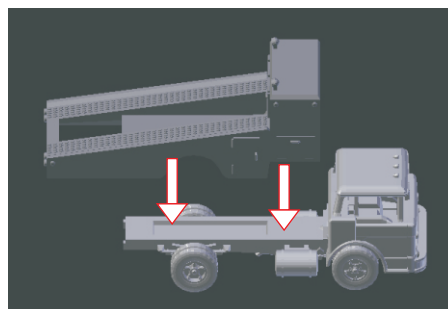
Drag Racer



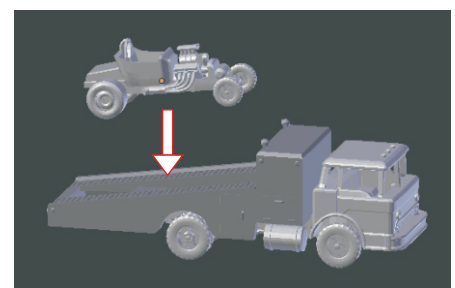
Final Assembly For Transporter Truck



Step 1 - Insert the bottom front of the cab behind the bumper as shown above, then push gently on therear part of the cab roof until the cab snaps into place.



Step 2 - Attach the transporter bed to the chassis



Step 3 - Attach the drag racer to the transporter bed

Assembly Completed

