

# Assembly Instructions For Z-Scale Ford F8 Semi Tractor Kit



**WARNING: CHOKING HAZARD Keep out of reach of small children!**

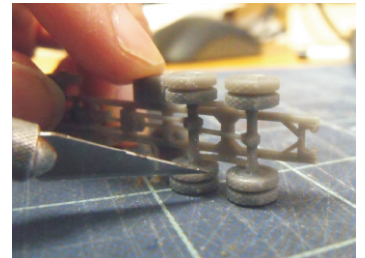
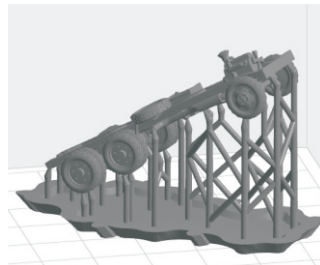
Note that these ARE NOT TOYS, AND ARE NOT INTENDED FOR USE BY CHILDREN UNDER AGE OF 14. These products are model railroad equipment and accessories intended for use by adults.

The 3D printing process requires a supporting frame during printing, see below left. The printed part is cut from the frame using flush cutters and this sometimes leaves small bumps on the part. Use a knife with a sharp new blade to cut away the bumps. When trimming bumps off the wheels you should place the wheel on a flat surface as shown below on the right. Putting too much stress on the wheel can cause the axle to break. For bumps on the cab body, sanding is recommended.

- Fifth Wheel Version       Marklin Version

[www.eaelec.com](http://www.eaelec.com)  
Made in Canada

These kits are scale models of the 1951 F8 series semi tractors. The kit contains all the parts needed to build 2 complete tractors. There are 2 versions of the tractor, one with the "fifth wheel" and one compatible with Marklin trailers.



3D printed parts Included in the kit:

- A. 2 chassis
- B. 2 cabs

Required to complete the kit:

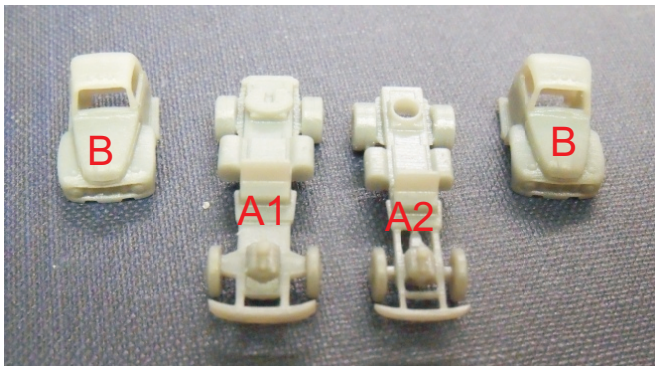
Paint - see painting guide on page 2.

Glue - Slow setting CA is best.

Tools -

1. X-acto knife with a sharp #11 blade.
2. #400 and #600 sandpaper.

## Parts In The Kit



A1 - This is the "fifth wheel" version of the chassis

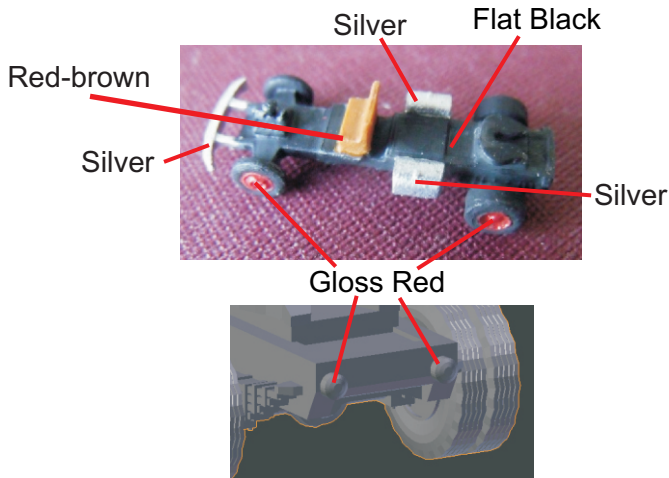
A2 - This is the Marklin compatible version of the chassis

Marklin version of the tractor with trailer from the 82340 set



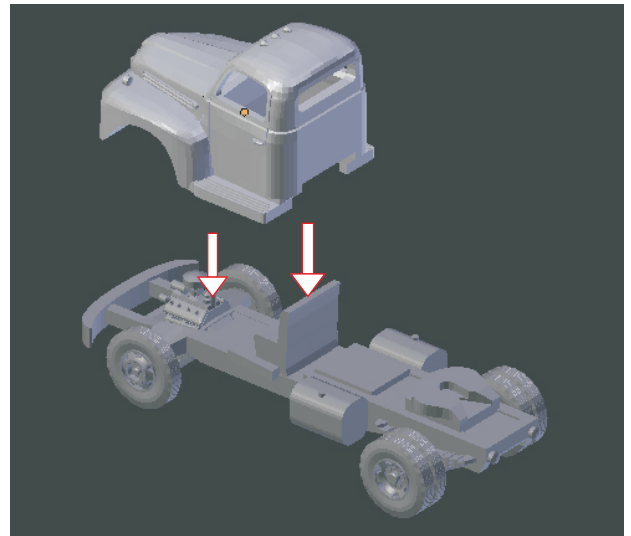
## Painting guide - Chassis

The chassis is painted flat black, except the front bumper, fuel tanks, wheel hubs and the seat. The seat on these trucks was covered with reddish brown leather. Optional - use a toothpick to dab red paint on the tail lights if the model is being displayed without a trailer.



## Final Assembly

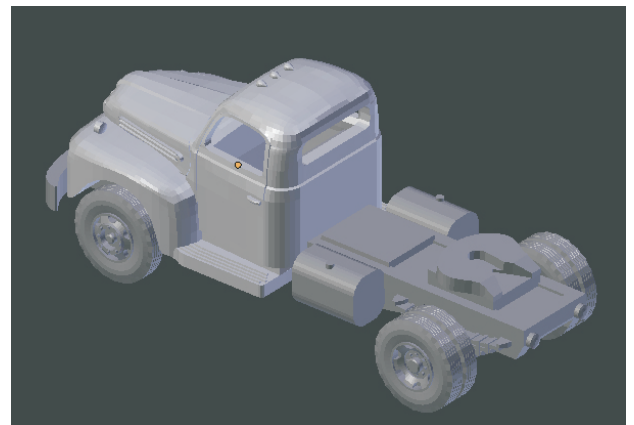
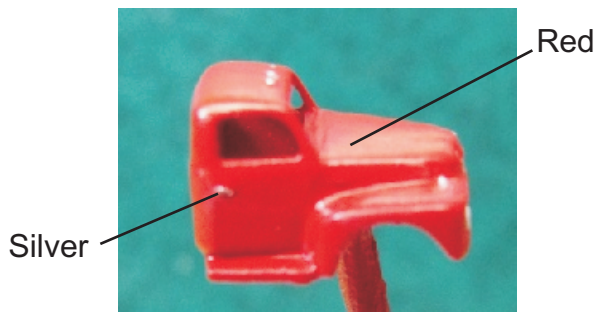
After paint is dry, assemble the trucks as shown below using CA glue.



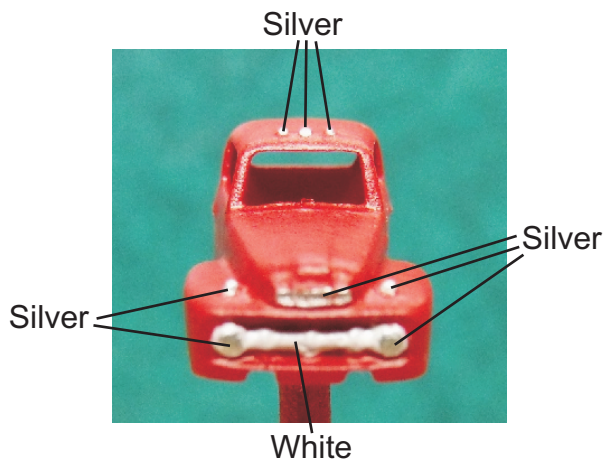
Attach cab to chassis

## Painting Guide - Cab

The method I use for painting Z-scale trucks is to airbrush the body color with flat paint. Then I apply paint to the headlights and signal lights using a toothpick. Finally I spray the cab with glosscoat.



Assembly complete



**Optional** - Add a front windshield using a product like Humbrol Clearfix or or Microscale Krystal Klear applied with a toothpick.

